

KOHLER®

Rhythm®
Undermount bathroom sink w/satin finish
K-2602-SU

Features

- Oval basin with Satin finish.
- No faucet holes; requires wall- or counter-mount faucet.

Material

- Premium 20-gauge stainless steel.

Installation

- Undermount.

Recommended Products/Accessories

K-7114 Pop-Up Drain
K-7127 Drain
K-7129 Drain
K-8998 P-Trap
K-23726 Drain treatment
K-23729 Stainless steel cleaner

Included Components

Additional Components:
1193643 Basin clamps
drain gasket
tube



ADA

CSA B651

Codes/Standards

ASME A112.19.3/CSA B45.4
ADA
ICC/ANSI A117.1
CSA B651

KOHLER® One-Year Limited Warranty

See website for detailed warranty information.

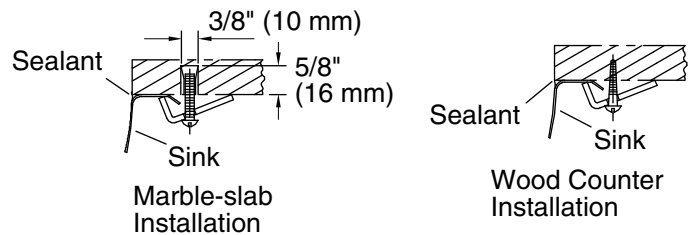
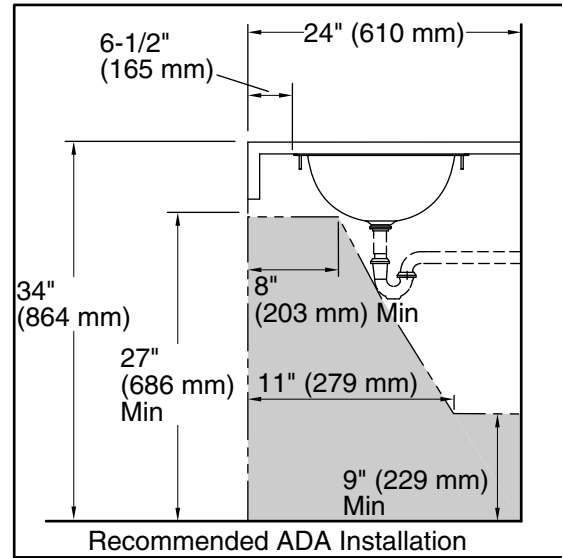
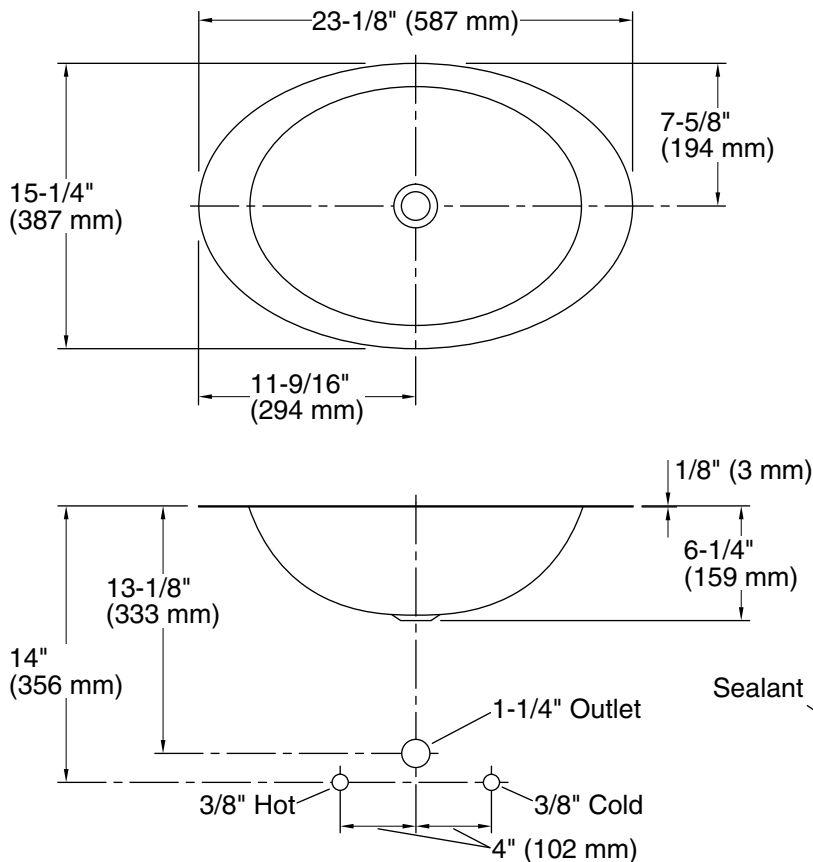
1-800-4KOHLER (1-800-456-4537)

Kohler Co. reserves the right to make revisions without notice to product specifications.

For the most current Specification Sheet, go to www.kohler.com.

5-29-2021 17:37 - US/CA

THE BOLD LOOK
OF **KOHLER®**



Technical Information

All product dimensions are nominal.

- Bowl configuration: Single
- Installation: Under-mount
- Bowl area (Only): Length: 18" (457 mm)
Width: 13" (330 mm)
Water depth: 5-7/8" (149 mm)
- Drain hole: 1-5/8" (41 mm)
- Template: 1000258-7, required, included

Notes

Install this product according to the installation instructions.

Supplied basin clamp assembly requires 3/4" (19 mm) minimum countertop thickness. Installer must supply anchors for thinner countertops.

NOTICE: Countertop manufacturer or cutter must use the cut-out template provided by Kohler Co. (call 1-800-4-KOHLER). Kohler Co. is not responsible for cut out errors when the incorrect cut out template is used.

Waterproof the unprotected overhang area of the underside of the wood counter.

ADA, CSA B651 compliant when installed to the specific requirements of these regulations.